

DHI-XVR5116H-S2

5M-N/1080p Mini 1U DIGITAL VIDEO RECORDER



The Device features powerful digital monitoring capability for the security industry. The embedded LINUX OS assures the stable operation, high accessibility and delivers unmatched monitoring with easy to use configurations. The Device features functions such as recording, playback, and monitoring and offers synchronization for audio and video. The Device also adopts the advanced control technology and has a strong network data transmission capability.

Series Overview

The Device harnesses its embedded design to ensure high security and reliability. It can work from the local end or, through its strong networking capability, connect to the professional surveillance software to form a security network, displaying its powerful remote monitoring functions. Also, it can upgrade the old system for fine definition without changing the initial circuit.

Functions

GUI4.0

Brand new local and web UI style with new boot logo and web login logo.

Zero-channel Encoding

Uses zero-channel encoding to blend multiple analog and IP channels into one channel. Enjoy monitoring through remote multi-window live view and save on networking transmission bandwidth.

HDCVI/AHD/TVI/CVBS Auto-detect

HDCVI/AHD/TVI/CVBS Auto-detect

The XVR can auto recognize the signal of front-camera without any setting. It makes operation more friendly and convenient.

Coaxial Audio/Upgrade/Alarm

The integrated design can reduce wiring troubles which makes it much more cost-effective and convenient for installation.

- H.264/H264+dual-stream video compression
- Supports HDCVI/AHD/TVI/CVBS/IP video inputs
- Max 24 channels IP camera inputs, each channel up to 4 MP
- Max 96 Mbps incoming bandwidth
- Supports 5 MP camera input
- Supports simultaneous display of VGA and HDMI
- Supports 1 SATA HDD, up to 8 TB
- Smart Search and Intelligent Video System



Long Distance Transmission

The HDCVI system supports long distance transmission over coaxial cable and UTP, max. 300 m for 1080p and 500 m for 720p.

Intelligent Video System (IVS)

With built-in intelligent video analytics, the XVR has the ability to detect and analyze moving objects for improved video surveillance. The XVR provides optional standard intelligence at the edge allowing detection of multiple object behaviors such as abandoned or missing objects. IVS also supports Tripwire analytics, allowing the camera to detect when a pre-determined line has been crossed.

Face Detection

It is a typical technology being used in a variety of applications for searching or identification of individuals.

Spot Output

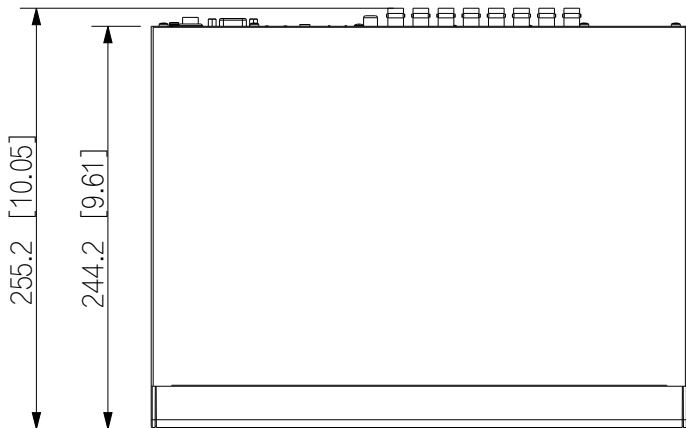
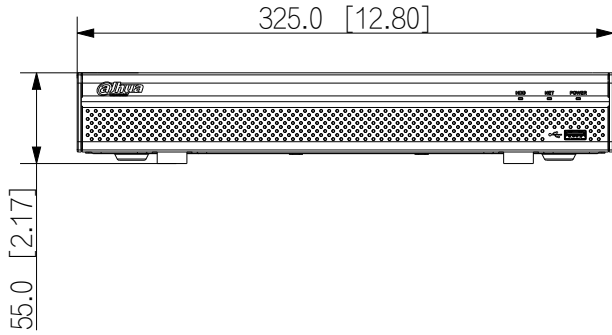
It is made for a secondary monitor. This allows the operator to view one special monitor that assigned to selected cameras or video inputs from higher security areas.

Technical Specification	
System	
Main Processor	Embedded processor
Operating System	Embedded linux
Face Detection	
Face Detection	only for the 1st channel, only support analog camera
IVS Analytics	
IVS	1 channel, 10 IVS for each channel, only support analog camera
Audio and Video	
Analog Camera Input	16 channels, BNC
HDCVI Camera Input	5 MP; 4 MP; 3 MP; 1080p; 720p
AHD Camera Input	5 MP; 4 MP; 3 MP; 1080p; 720p
TVI Camera Input	5 MP; 4 MP; 3 MP; 1080p; 720p
CVBS Camera Input	PAL/NTSC
IP Camera Input	16+8 channels, each channel up to 4MP
Audio Input	1 RCA
Audio Output	1 RCA
Two-way Talk	Reuse audio in/out, RCA
Recording	
Video Compression	H.264+/H.264
Resolution	5 MP, 4 MP, 3 MP, 1080p, 720p, 960H, D1, CIF, BCIF, QCIF
Record Rate	Main stream: All channel 5M-N (1 fps~10 fps); 4M-N/1080p (1 fps~15 fps); 720p/960H/D1/CIF (1 fps~25/30 fps); Sub stream: 960H (1 fps~15 fps); 1/CIF (1 fps~25/30 fps)
Record Mode	Manual, Schedule (General, Continuous), MD (Video detection: Motion Detection, Video Loss, Tampering), Alarm, Stop
Bit Rate	32 Kbps~6144 Kbps Per Channel
Audio Sample Rate	8 KHz, 16 bit Per Channel
Audio Bit Rate	64 Kbps Per Channel
Display	
Ports	1 HDMI, 1 VGA
Video Output	HDMI: 1920 × 1080, 1280 × 1024, 1280 × 720 VGA: 1920 × 1080, 1280 × 1024, 1280 × 720
Multi-screen Display	When IP extension mode enabled: 1/4/8/9/16/25 When IP extension mode not enabled: 1/4/8/9/16
OSD	Camera title, Time, Video loss, Camera lock, Motion detection, Recording
Network	
Network Port	1 RJ-45 Port (1000 MB)
Network Protocol	HTTP, HTTPS, TCP/IP, IPv4/IPv6, Wi-Fi, SNMP, UPnP, RTSP, SMTP, NTP, DHCP, DNS, PPPoE, DDNS, FTP, Alarm Server, IP Search (Supports Dahua IP camera, DVR, NVS, etc.)
Max User Access	128
Mobile Phone Access	iOS, Android
Interoperability	ONVIF (profile S), CGI, SDK
Alarm	
General Alarm	Motion detection, Video Loss, tampering
Anomaly Alarm	No disk, disk error, low space, offline, ip conflict, MAC conflict
Intelligent Alarm	Face detection, IVS
Alarm Linkage	Record, snapshot (panoramic), IPC external alarm output, access controller, voice prompt, buzzer, log, preset, email
Playback and Backup	
Playback	1/4/9/16
Search Mode	Time /Date, Alarm, MD and Exact Search (accurate to second)
Playback Mode	Instant playback, general playback, event playback, tag playback, smart playback (face and motion detection)
Backup	USB Device/Network
Storage	
HDD Interface	1 SATA port, up to 8 TB capacity
eSATA	N/A
Auxiliary Interface	
USB	2 USB ports (1 USB 2.0, 1 USB 3.0)
RS-485	1 port, for PTZ control
Electrical	
Power Supply	12 VDC/2A
Power Consumption (without HDD)	≤10 W
Construction	
Dimensions	Mini 1U, 325 mm × 245 mm × 45 mm × 55 mm(12.80" × 10.11" × 2.17")
Net Weight (without HDD)	≤1.45 kg (3.20 lb)
Installation	Desktop installation
Environmental	
Operating Temperature	-10 °C to +55 °C (+14 °F to +131 °F)
Operating Humidity	10%~90%
Third-party Support	
Third-party Support	Dahua, Arecont Vision, AXIS, Bosch, Brickcom, Canon, CP Plus, Dynacolor, Honeywell, Panasonic, Pelco, Samsung, Sanyo, Sony, Videotec, Vivotek, and more
Certifications	
Certifications	CE: CE LVD EN 62368 CE EMC: EN55032 EN55024 EN55035, EN50130-4 FCC: part15B

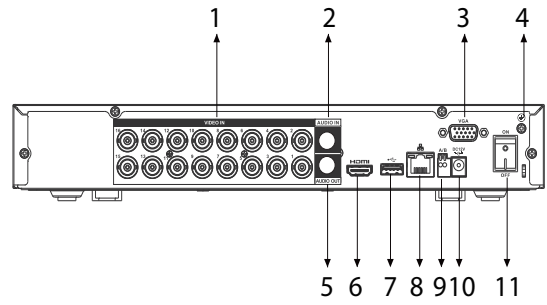
Ordering Information

Type	Model	Description
16 Channel XVR	DHI-XVR5116H-S2	5M-N/1080P Mini 1U DIGITAL VIDEO RECORDER

Dimensions (mm[inch])



Panels



- 1 VIDEO IN
- 2 AUDIO IN, RCA Connector
- 3 VGA Port
- 4 Ground
- 5 AUDIO OUT, RCA Connector
- 6 HDMI Port
- 7 USB Port
- 8 Network Port
- 9 RS-485 Port
- 10 Power Input
- 11 Power Switch