

AV-06M



Main features

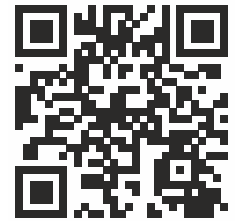
- Panel type: Individual.
- Camera: 1/2.8”.
- Resolution: 2 Mpx.
- Camera angle: 110° (horizontal).
- Output video: FullHD (1920 × 1080), H.265 Main Profile.
- Wide Dinamic Range (WDR): Built-in.
- Night backlight: 12 LEDs.
- Light sensitivity: 0.01 LuX.
- Protection class: IP65.
- IK-Code: IK06.
- Working temperature: -40 — +65 °C.
- Power consumption: 5.5 W, in standby — 2.1 W.
- Supported Cards: Mifare® Ultralight, Ultralight EV1, Light ID, Standard, Classic (1K/4K), Classic EV1 (1K/4K), DESFire Light (UID 4 bytes), DESFire EV1 (UID 4 bytes), NFC ISO 14443.
- Wi-Fi: 2.4GHz (IEEE 802.11 n).
- Power supply: +12V DC, IEEE PoE 802.3af.
- Memory card support: MicroSD up to 32GB.
- Body: Plastic.
- Colors: Black.
- Size of the panel: 52 × 137 × 28 mm.
- Installation: Surface Mounting with or without Sun & Rain Cover (Included).
- Additional accessories: Rotating Bracket 30-degree (included).



The specifications and appearance of the device may differ from those stated or may change without prior notice.

ENTRANCE PANEL

AV-06M



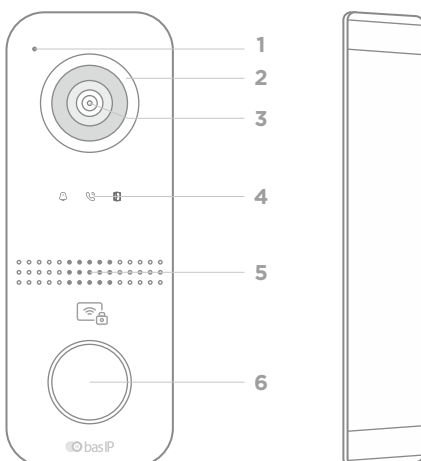
Full User Manual
wiki.bas-ip.com

Device description

The BAS-IP AV-06M is a sleek and compact single-button entrance panel designed for seamless video calling at villa entrances or front doors. Despite its slim profile, this panel is packed with advanced features, including door access via card, QR code, mobile app, or remote control from an indoor monitor.

For added convenience, the panel includes additional mounting accessories such as a plastic Sun & Rain Cover and a **30-degree Rotating Bracket**.

Appearance



- 1 - Microphone.
- 2 - Backlight.
- 3 - Camera.
- 4 - 3 indicator LEDs:
 - 🔔 Calling /
 - ☎ Talking /
 - 🔑 Lock-release

- 5 - Loudspeaker.
- 6 - Mechanical call button and identifier reader.

Completeness check of the product

Before installation of the outdoor panel, it is necessary to check that it is complete and all components are available.

Outdoor panel kit includes:

Outdoor panel	1 pc
Surface mounting bracket with a hood / without hood	1 pc / 1 pc
30-degree Rotating Bracket	1 pc
Manual	1 pc
Set of wires with connectors for connection of power supply, lock, and additional modules	1 pc
A set of plugs for connections	1 pc
Protective cover with a seal	1 pc
Set of screws with a wrench	1 pc

Electrical connection

After verifying the device's completeness, you can switch to the outdoor panel connection.

For connection you will need:

- An Ethernet UTP CAT5 or higher cable connected to a network switch / router.

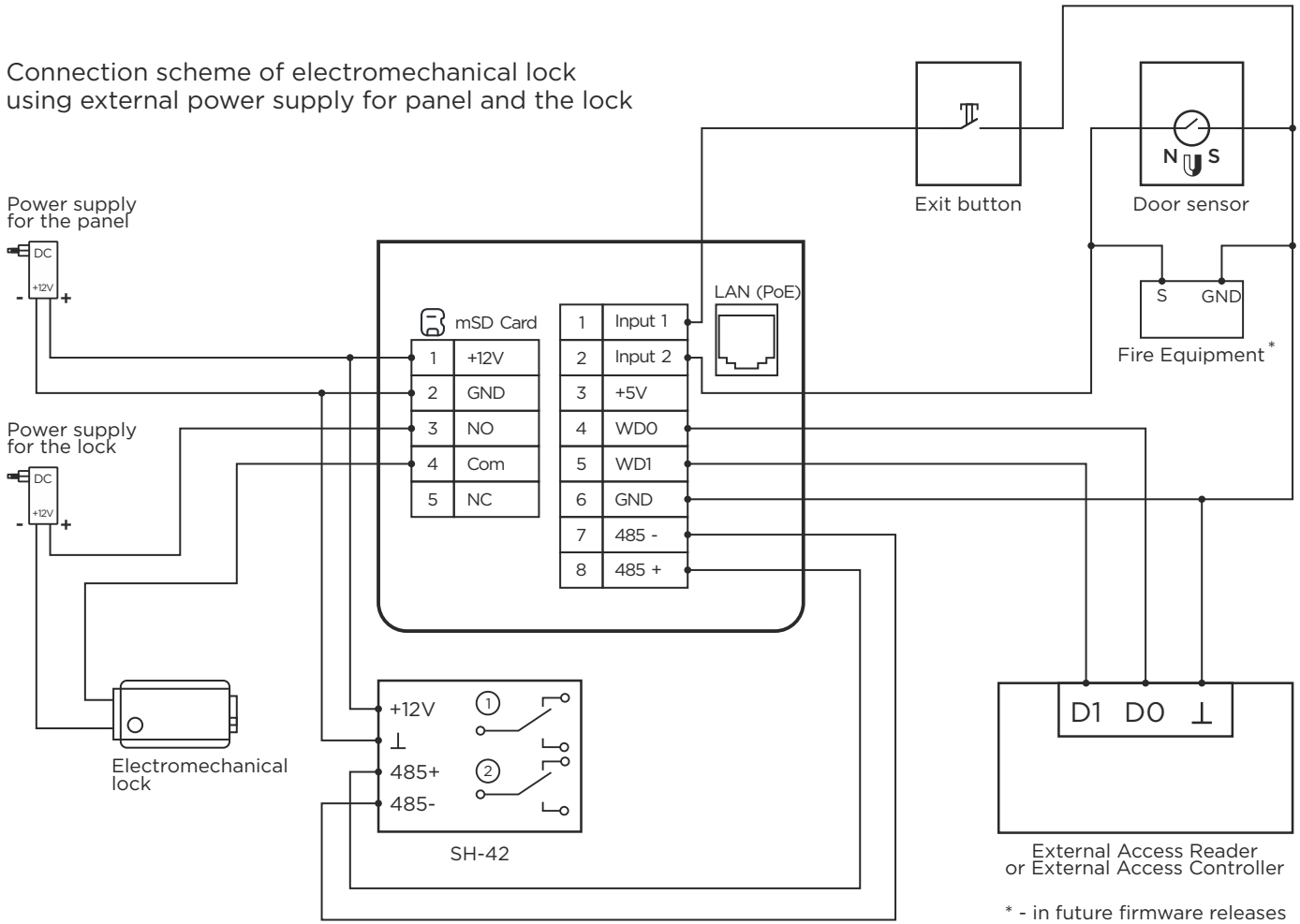
Cable length recommendations

The maximum length of the UTP CAT5 cable segment should not exceed 100 meters, according to the IEEE 802.3 standard.

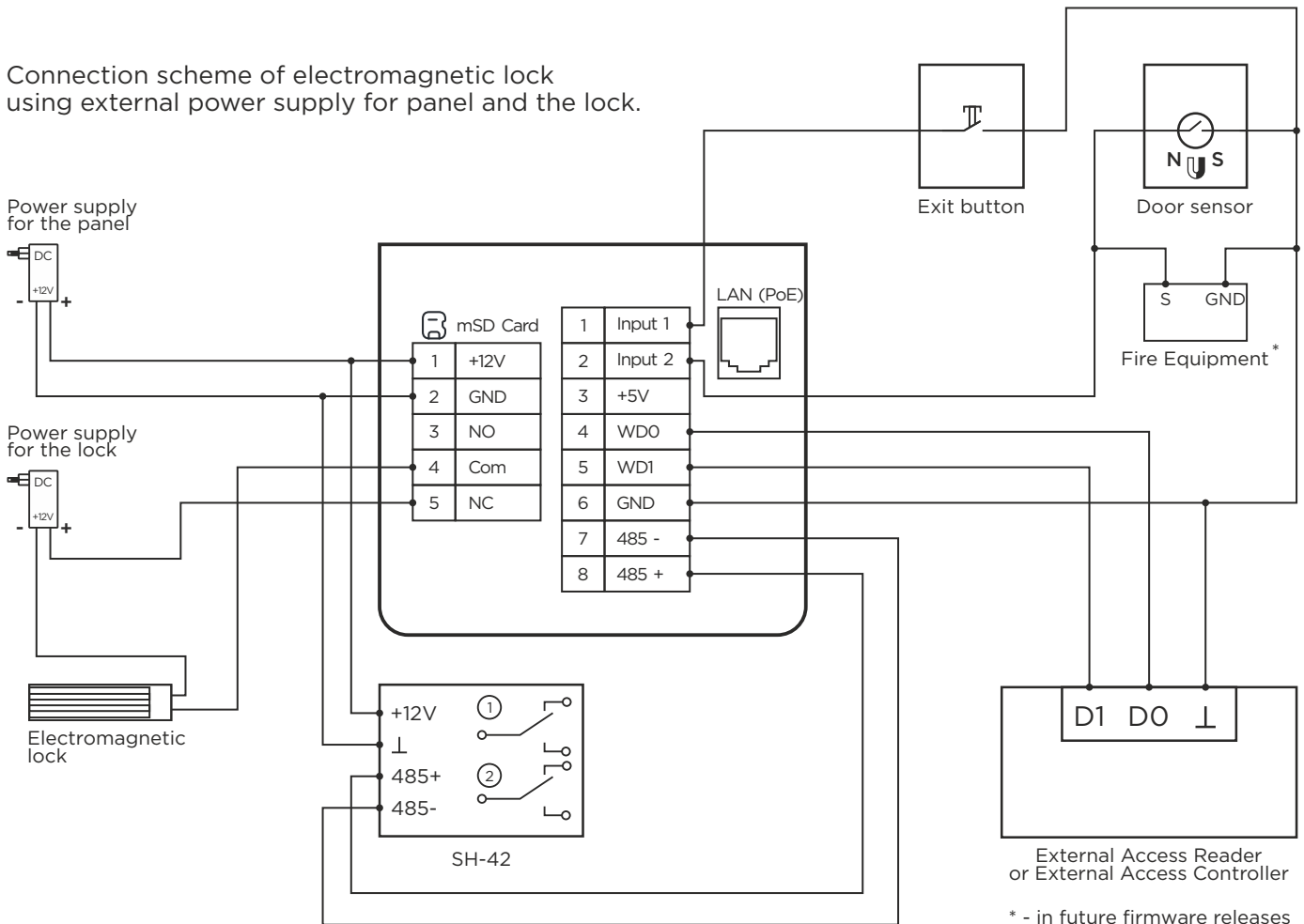
- Power supply at +12 V, 2 amps, if there is no PoE.
- Wires must be brought for the connection of exit button, fire alarm, door sensor and lock.

You can connect any type of electromechanical or electromagnetic lock for which the switched current does not exceed 2 amps.

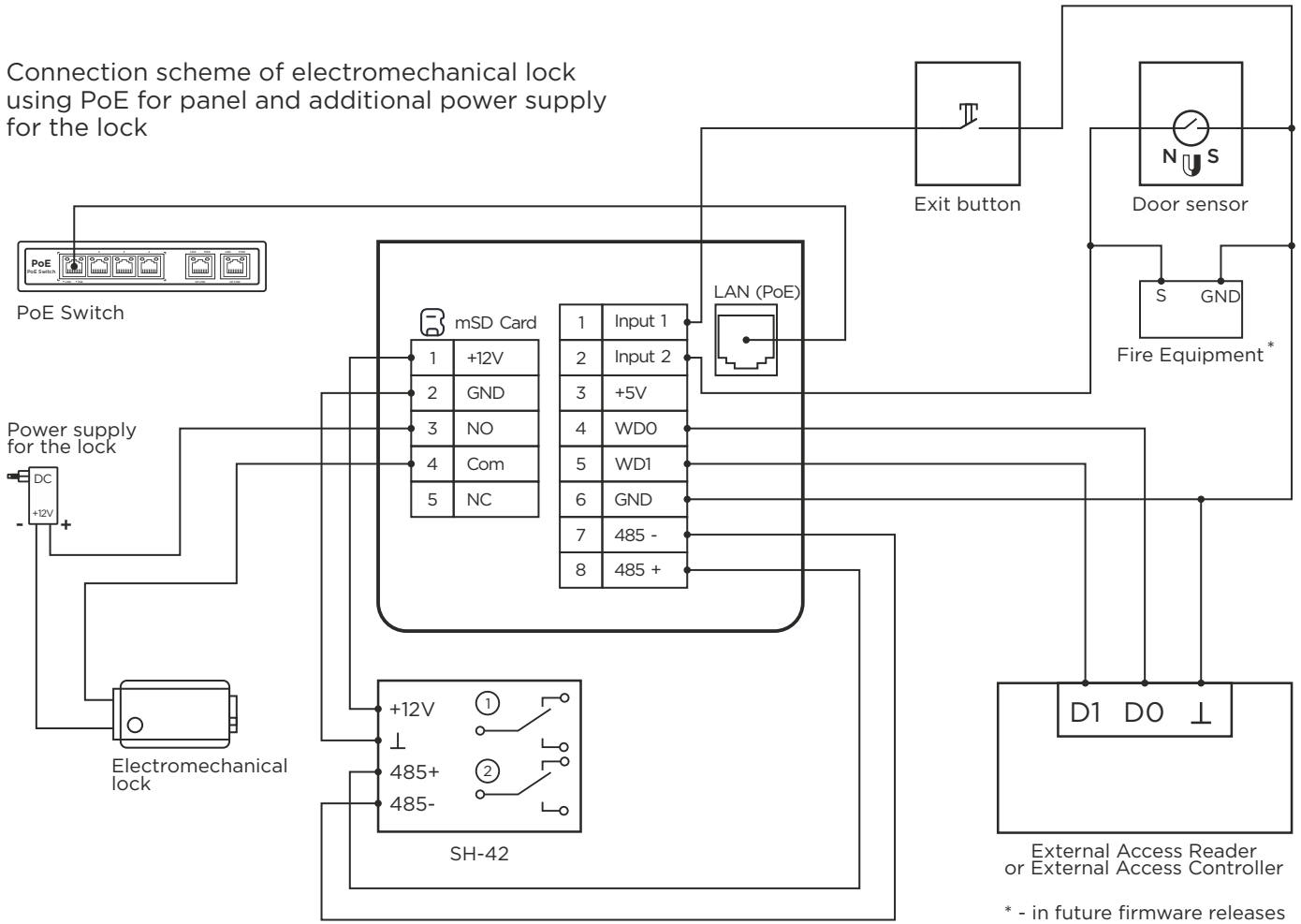
Connection scheme of electromechanical lock using external power supply for panel and the lock



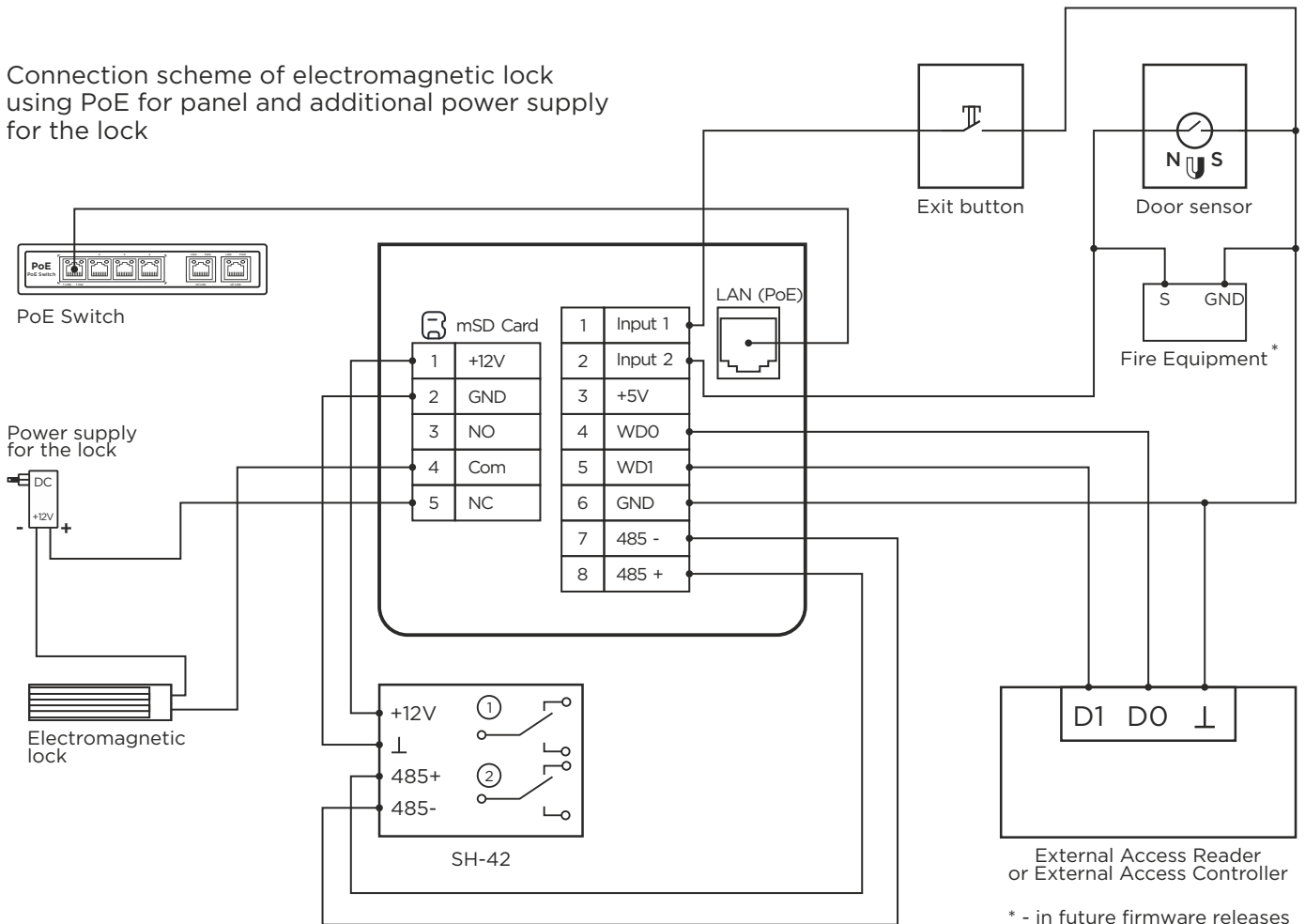
Connection scheme of electromagnetic lock using external power supply for panel and the lock.



Connection scheme of electromechanical lock using PoE for panel and additional power supply for the lock



Connection scheme of electromagnetic lock using PoE for panel and additional power supply for the lock



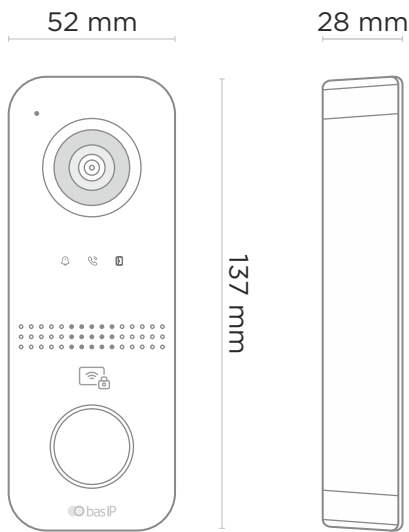
Mechanical mounting

To install the intercom panel, take the self-adhesive sticker from the set with the panel and affix it to the wall at the intended installation location.

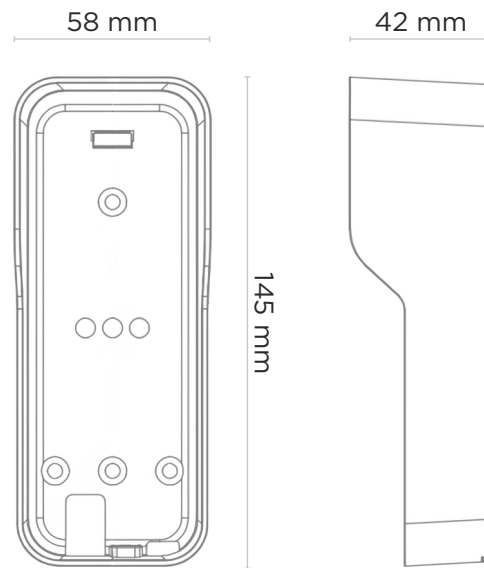
Drill holes at the marked spots on the attached sticker. Then, insert the included anchors into these holes.

It is also necessary to provide supply of a power cable, additional modules and the local network.

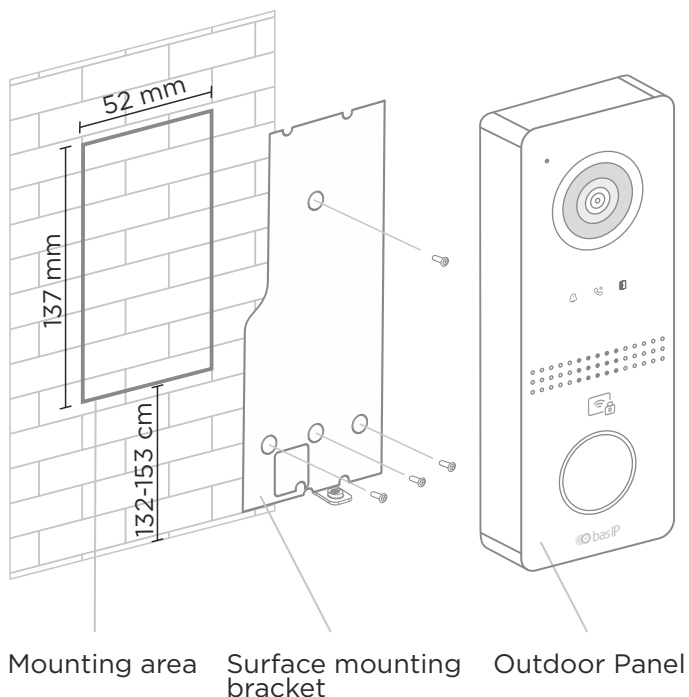
Outdoor Panel



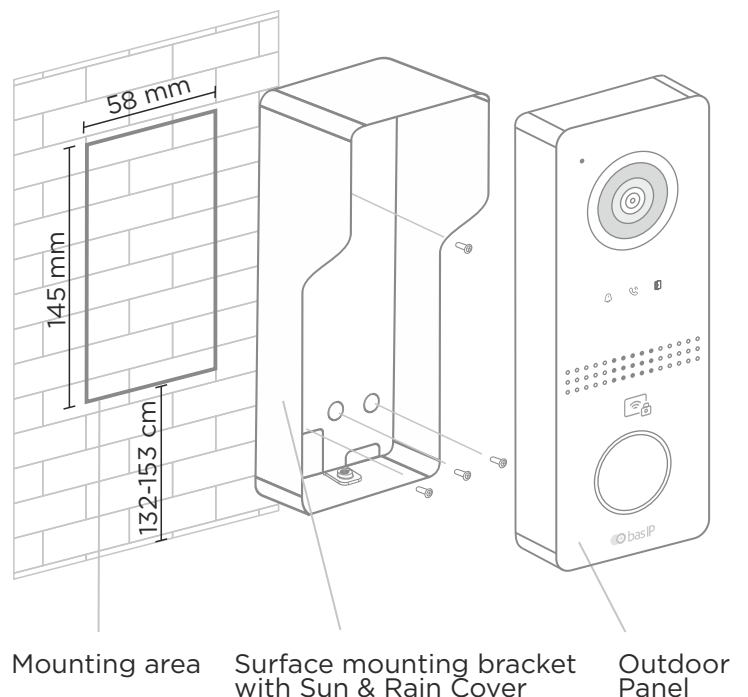
Sun & Rain Cover



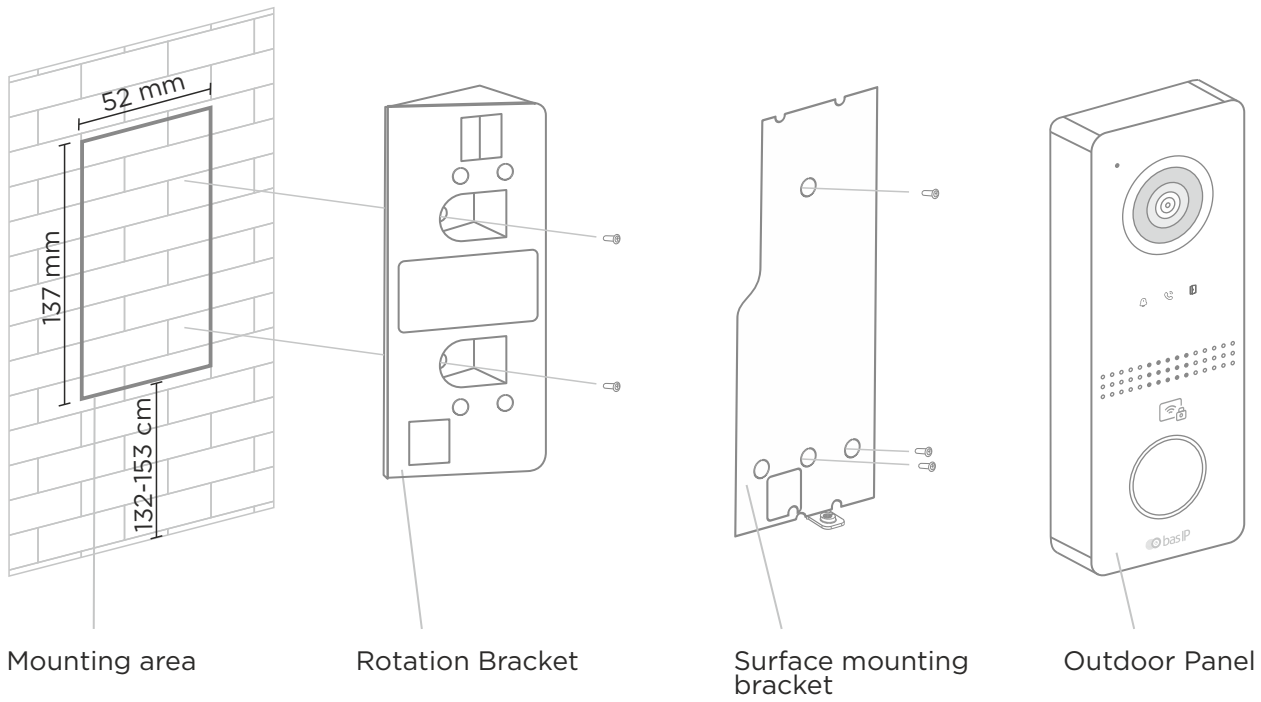
Surface mounting



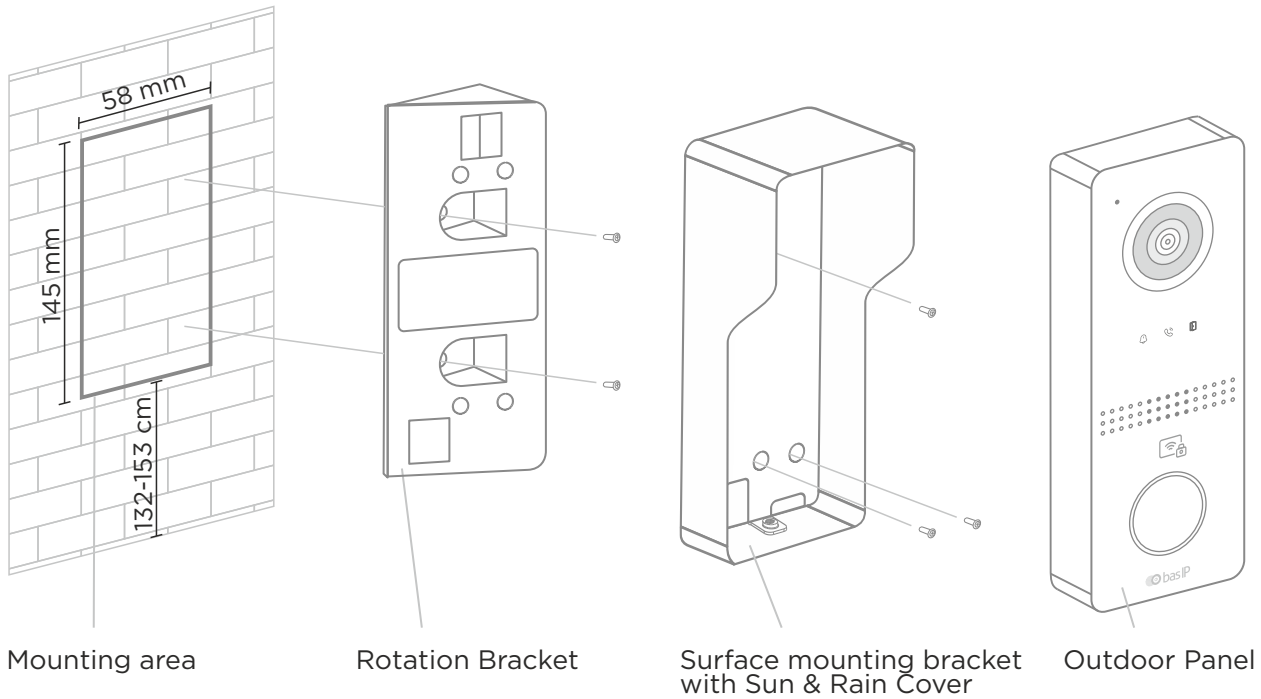
Surface mounting with Sun & Rain Cover



Surface mounting with rotating bracket



Surface mounting with Sun & Rain Cover and rotating bracket



Warranty

The warranty card number _____

Model name _____

Serial number _____

Seller name _____

With following stated terms of warranty is familiar, functional test was performed in my presence:

Customer signature _____

Warranty conditions

The warranty period of the product — 36 (thirty-six) months from the date of sale.

- Transportation of product must be in its original packaging or supplied one by the seller.
- The product is accepted in warranty repair only with a properly filled warranty card and the presence of intact stickers or labels.
- The product is accepted for examination in accordance with the cases provided by law, only in the original packaging, in a full complete set, appearance corresponding to the new equipment and presence of all relevant properly filled documents.
- This warranty is in addition to the constitutional and other consumer rights and in no way restrict them.

Terms of warranty

- The warranty card must indicate the name of the model, serial number, purchase date, name of the seller, seller company stamp and the customer's signature.
- Delivery to the warranty repair is carried out by the buyer himself.
- Warranty repairs carried out only during the warranty period specified in the warranty card.
- The service center is committed to do everything possible to carry out the repair warranty products, up to 24 working days. The period spent on the restoration of product functionality is added to the warranty period.



www.bas-ip.com