

Since 1968

COMMAX
SmartHome & Security

User Manual

Door Camera CIOT-D20M



www.commax.com

COMMAX Co.,Ltd.



- Thank you for purchasing COMMAX products.
- Please carefully read this User's Guide (in particular, precautions for safety) before using a product and follow instructions to use a product exactly.
- The company is not responsible for any safety accidents caused by abnormal operation of the product.



Contents

1. Introduction	2
2. Part Names	3
3. Wiring and Installation	4
4. Package Contents	5
5. Specification	6



1. Introduction

Your unit is designed so it can be flush mounted on the or used. When flush mounted on the wall, the stand permits you to the unit for an gular of unit view. The model number is located on the bottom and record the serial number in the space provided below(available). Refer to these numbers whenever you call upon your COMMAX dealer regarding this product.

Model No.

Serial No.

To prevent fire or shock hazard, do not expose the unit to rain or moisture.



This symbol is intended to alert the use to the presence of uninsulated **"dangerous Voltage"** within the product' s enclose that may be of sufficient magnitude to constitute a risk of electric shock to persons.



This symbol is intended to alert the use to the presence of important operating and maintenance(servicing) instructions in the literature accompanying the appliance



caution

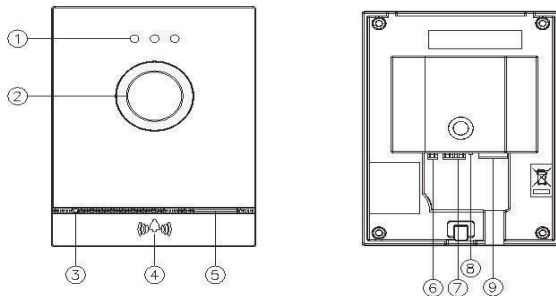
Rosk of electric shock
do not open



CAUTION: To reduce the risk of electrix shick, do not remove cover(or back) no user-serviceable part sinside refer servicing to quared service personnel



2. Part Names

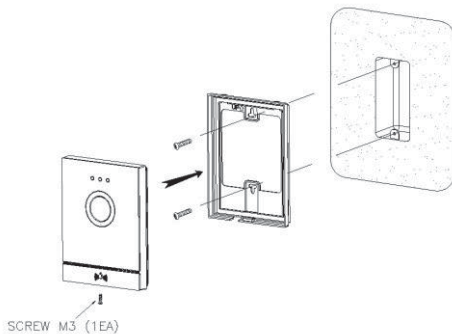


No.	Information	No.	Information
1	LED & CDS	6	DC 12V (Option)
2	Camera Lens	7	Door Release Connection
3	MIC	8	Reset
4	Call Button	9	PoE
5	Speaker	10	

*8. Reset : Press the Reset button for 5 seconds, You can initialize status of Camera.



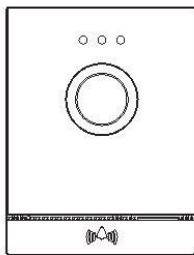
3. Wiring and Installation



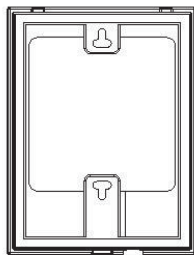
- ① Fix a bracket on a wall with screws
- ② Connect UTP and Door release cable on the back side of a door camera
- ③ Put a Door camera unit into a wall bracket.
- ④ Tighten a screw at the bottom side of a door camera.



4. Package Contents



DOOR CAMERA



WALL BRACKET



SCREW
(PHM 3*6)



SCREW
(GH1T 4*18)



5P(1EA)
Connector



5. Specification

Spec \ Model	CIOT-D20M
Wiring	UTP (CAT.5e)
Voltage	INPUT : PoE DC 36V ~ 54V
Power Consumption	Standby :5W , Max :12W
Transmission	Audio : VoIP(SIP Standard), Video : H.264 / H.265 / Onvif
Wiring & Distance	UTP (CAT.5e) Standard 70m (Standard distance from POE S/W)
Temperature	-10°C ~ +40°C
Video	Onvif
Mount Type	Wall mounted
Angle	120°
OS	Linux
Fixel	2Mega Pixel FHD
Dimension (mm)	110(W)×145(H)×28(D)

COMMAX

COMMAX Co.,Ltd.

513-11, Sangdaewon-dong, Jungwon-gu, Seongnam-si, Gyeonggi-do, Korea
Int'l Business Dept. : Tel.; +82-31-7393-540~550 Fax.; +82-31-745-2133
Web site : www.commax.com

PM49D20M0010

Printed In Korea / 2016.04.105